

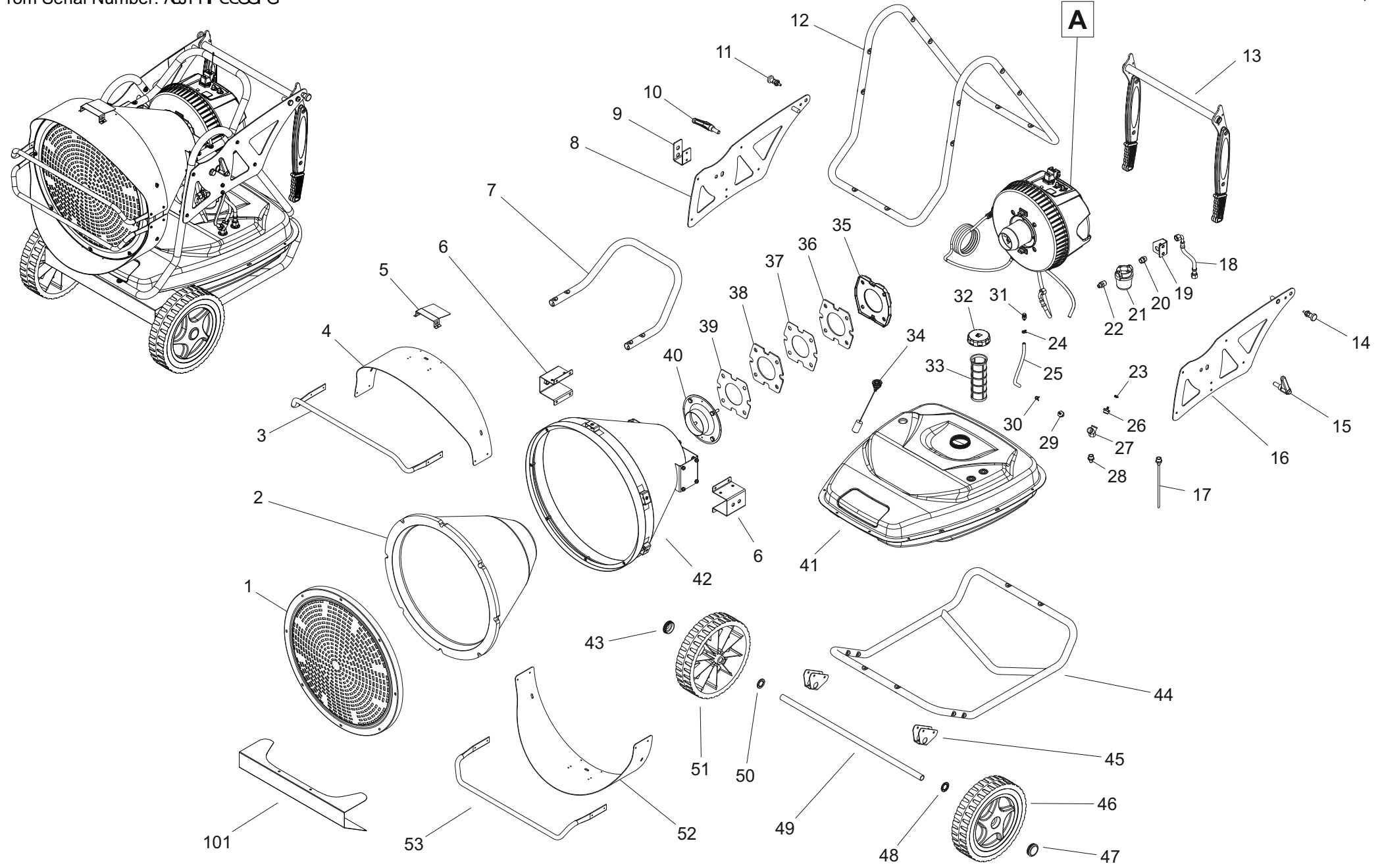
MODEL XL91 - 230 V / 50 Hz

UNIT 1

ILLUSTRATED PARTS BREAKDOWN

From Serial Number: A J I H € € G G G

Rev -- Sept. 2016

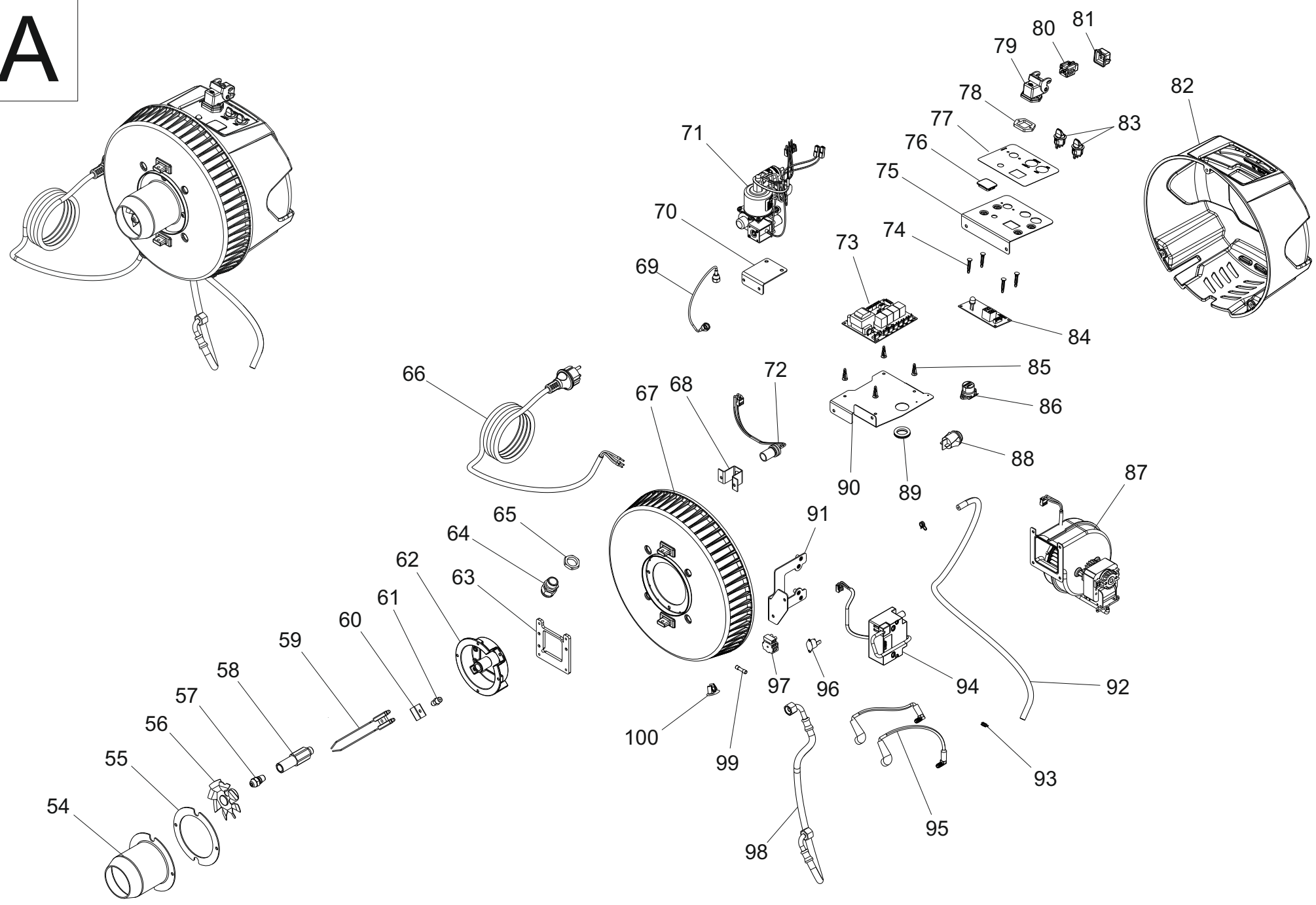


MODEL XL91 - 230 V / 50 Hz

UNIT 2

ILLUSTRATED PARTS BREAKDOWN

A



MODEL XL91 230 V - 50 Hz

UNIT 2

PARTS LIST

Pos.	Code N°	Description	Rev. - - Sept. 2016
1	4117.043	RADIATION PLATE	
2	4117.633	INSULATION CONE	
3	4117.623	PROTECTION TUBE	
4	4117.671	PROTECTION SHIELD	
5	4117.732	LABEL PLATE	
6	4117.662	SUPPORT BRACKET	
7	4117.684	HANDLE	
8	4117.666	SIDE PLATE	
9	4117.661	POWER CORD BRACKET	
10	4117.294	ROTATION KNOB	
11	4117.152	HANDLES PIN	
12	4117.659	UPPER CHASSIS	
13	4117.645	HANDLES ASSEMBLY	
14	4117.152	HANDLES PIN	
15	4117.294	ROTATION KNOB	
16	4117.667	SIDE PLATE	
17	4117.446	SUCTION PIPE WITH NIPPLE	
18	4117.698	SUCTION FIBER PIPE	
19	4117.639	FILTER BRACKET	
20	4117.048	STRAIGHT NIPPLE	
21	4031.070	OIL FILTER	
22	4117.048	STRAIGHT NIPPLE	
23	4290.027	CLIP	
24	4290.027	CLIP	
25	4201.062	RUBBER PIPE	
26	4117.709	PIPE HOLDER	
27	4117.664	PIPE Y	
28	4117.447	STRAIGHT ADAPTER	
29	4117.709	PIPE HOLDER	
30	4290.027	CLIP	
31	4260.246	BREATH VALVE	
32	4034.283	TANK CAP	
33	4290.213	TANK FILTER	
34	4260.123	FUEL GAUGE	
35	4117.631	ALUMINIUM PLATE	
36	4117.634	PAPER GASKET	
37	4117.632	FIBER GASKET	
38	4117.634	PAPER GASKET	
39	4117.632	FIBER GASKET	
40	4117.689	FLANGE	
41	4117.653	TANK	
42	4117.674	COMBUSTION CHAMBER	
43	4111.480	WHEEL CAP	
44	4117.658	LOWER CHASSIS	
45	4117.678	AXLE BRACKET	
46	4110.978	WHEEL	
47	4111.480	WHEEL CAP	
48	4111.072	BLOCK WASHER	
49	4117.680	AXLE	
50	4111.072	BLOCK WASHER	

ESP00423

MODEL XL91 230 V - 50 Hz

UNIT 2

PARTS LIST

Pos.	Code N°	Description	Rev. - - Sept. 2016
51	4110.978	WHEEL	
52	4117.071	PROTECTION SHIELD	
53	4117.623	PROTECTION TUBE	
54	4117.607	CHAMBER TUBE	
55	4117.609	TUBE GASKET	
56	4117.610	TURBOLATION DISK	
57	4117.+)\$	NOZZLE	
58	4117.619	NOZZLE HOLDER	
59	4117.618	ELECTRODES	
60	4117.686	ELECTRODES BRACKET	
61	4290.053	CONNECTION STRAIGHT	
62	4201.033	COMBUSTION HEAD	
63	4117.688	COMBUSTION HEAD FLANGE	
64	4150.528	POWER CORD HOLDER	
65	4100.656	POWER CORD HOLDER WASHER	
66	4117.614	POWER CORD	
67	4117.603	BURNER FLANGE	
68	4201.259	PHOTOCELL BRACKET	
69	4201.052	OIL PIPE	
70	4117.605	PUMP BRACKET	
71	4117.606	PUMP	
72	4201.260	PHOTOCELL	
73	4201.427	PC-BOARD	
74	4290.028	SPACERS	
75	4117.690	DISPLAY BRACXKET	
76	4201.068	DISPLAY COVER	
77	4117.642	DISPLAY LABEL	
78	4201.426	THERMOSTAT CONNECTION SPACER	
79	4160.647	THERMOSTAT CONNECTION	
80	4161.400	THERMOSTAT PLUG	
81	4162.467	THERMOSTAT CAP	
82	4201.331	BURNER COVER	
83	4034.223	SWITCH	
84	4201.424	DISPLAY BOARD	
85	4290.021	SPACERS	
86	4260.110	ANTI-TILT SWITCH	
87	4117.687	VENTILATION MOTOR	
88	4260.233	RESET SWITCH	
89	4290.003	WIRE PROTECTION	
90	4117.665	PC-BOARD BRACKET	
91	4117.615	TRANSFORMER BRACKET	
92	4117.608	RUBBER PIPE	
93	4290.027	CLIP	
94	4260.253	HIGH TENSION TRANSFORMER	
95	4117.613	HIGH TENSION TRANSFORMER WIRE	
96	4032.883	SAFETY THERMOSTAT	
97	4117.685	TERMINAL BLOCK	
98	4117.699	OIL PIPE	
99	4514.409	FUSE	
100	4117.700	CAP	
101	4117.735	FRONT PROTECTION	
NOT SHOWN			
102	4117.747	WIRES KIT	

MODEL XL91 230 V - 50 Hz

UNIT 2

RECOMMENDED PARTS LIST

Pos.	Code N°	Description	<i>Rev. - - Sept. 2016</i>
1	4117.043	RADIATION PLATE	
2	4117.633	INSULATION CONE	
21	4031.070	OIL FILTER	
57	4117.+)	NOZZLE	
71	4117.606	PUMP	
72	4201.260	PHOTOCELL	
73	4201.427	PC-BOARD	
87	4117.687	VENTILATION MOTOR	
94	4260.253	HIGH TENSION TRANSFORMER	
96	4032.883	SAFETY THERMOSTAT	