



---

<b>Pos.</b>	<b>Code NR</b>	<b>Description</b>
1-1	4117.043	RADIATION DISC
1-2	4117.007	CONICAL INSULATOR
1-3	4117.072	DRUM
1-4	4117.104	CONICAL HOUSING
1-5	4117.055	CONICAL HOUSING BRACKET
1-6	4117.032	GRIP
1-7	4117.294	PLASTIC HOLD
1-8	4117.027	PROTECTION SUPPORT
1-9	4117.026	VISOR
1-10	4117.096	GUARD RAIL
1-11	4117.190	COMBUSTION CHAMBER FLANGE
1-12	4117.191	COMBUSTION CHAMBER FLANGE GASKET

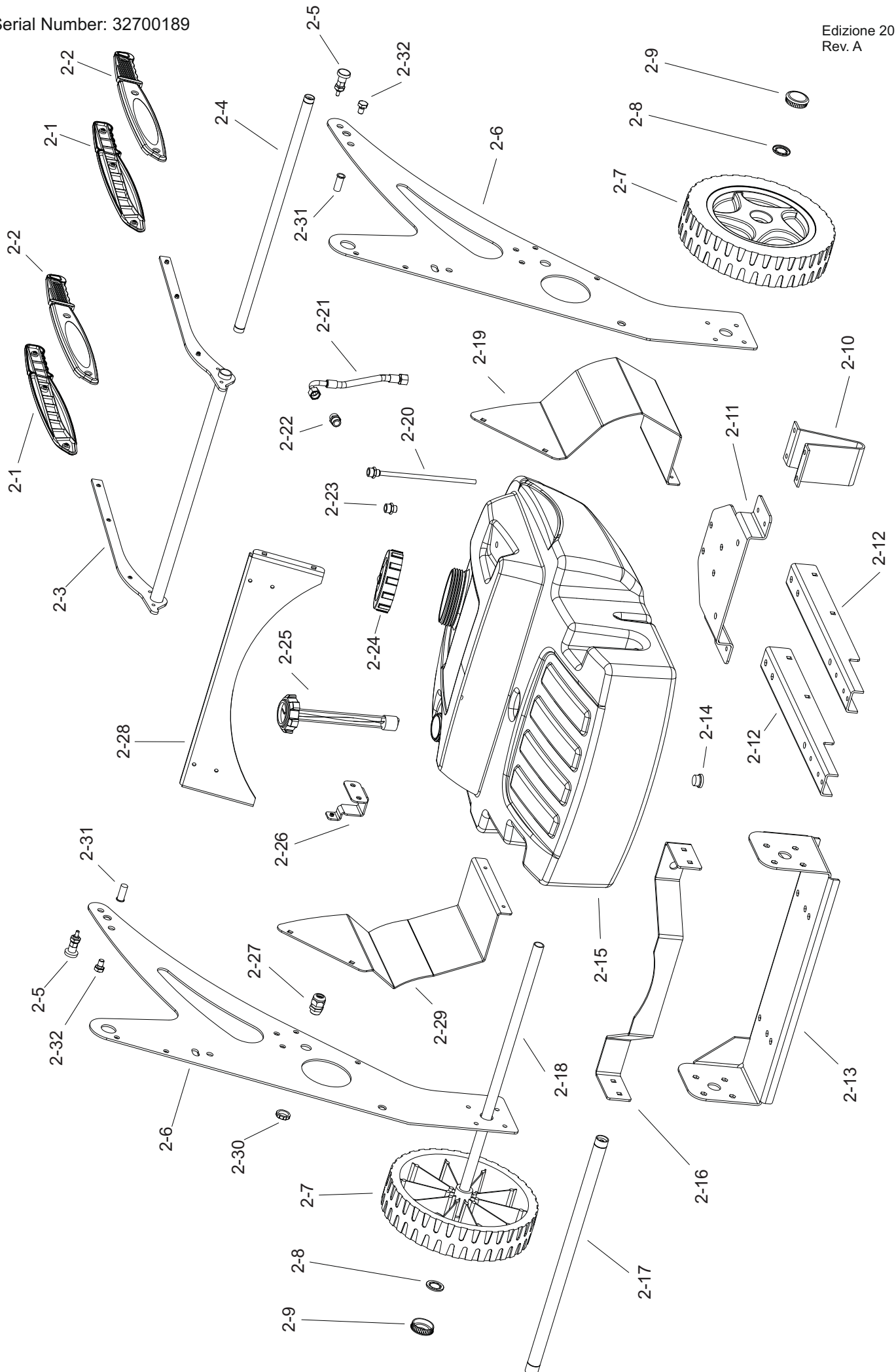
# XL 9ER / XL 9SR

## FRAME

## ILLUSTRATED PARTS BREAKDOWN

From Serial Number: 32700189

Edizione 2012  
Rev. A



---

<b>Pos.</b>	<b>Code NR</b>	<b>Description</b>
2-1	4117.247	BLACK PLASTIC LEFT KNOB
2-2	4117.246	BLACK PLASTIC RIGHT KNOB
2-3	4117.011	ROTATION HANDLES
2-4	4117.039	TUBE
2-5	4117.152	RETRACTABLE PIN
2-6	4117.341	SIDE SUPPORT
2-7	4110.978	WHEEL
2-8	4111.072	WHEEL HOLDER
2-9	4111.480	WHEEL PLUG
2-10	4117.019	REAR FOOT
2-11	4117.013	REAR SUPPORT
2-12	4117.377	SPAR
2-13	4117.015	FRONT SUPPORT
2-14	4032.813	DRAIN PLUG
2-15	4117.047	TANK
2-16	4117.346	FILTER BRACKET
2-17	4117.036	AXLE
2-18	4117.038	WHEELS AXLE
2-19	4117.351	RIGHT SIDE REINFORCEMENT
2-20	4117.050	NIPPLE WITH PIPE
2-21	4117.051	PIPE CONNECTION
2-22	4117.048	NIPPLE
2-23	4117.049	NIPPLE
2-24	4117.053	TANK CAP
2-25	4117.006	FUEL LEVEL PROBE
2-26	4117.185	BRACKET CABLE REEL
2-27	4150.528	STRAIN RELIEF BUSHING
2-28	4117.348	FRONT REINFORCEMENT
2-29	4117.351	LEFT SIDE REINFORCEMENT
2-30	4100.656	NUT
2-31	4117.181	INSERT M10
2-32	4117.182	SCREW

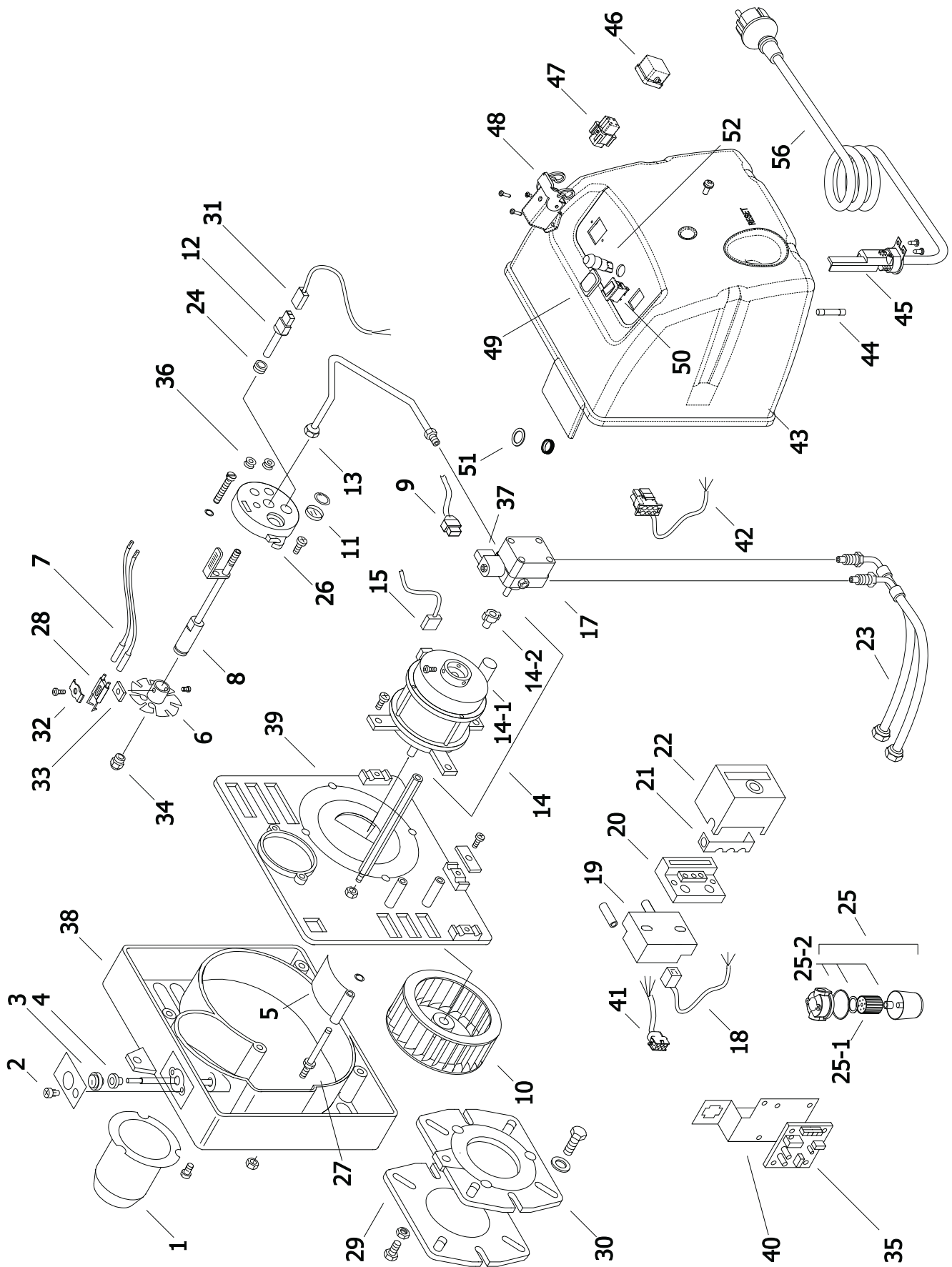
# XL 9ER

BURNER BXL 1 220/240V - 50Hz

ILLUSTRATED PARTS BREAKDOWN

From Serial Number: 32700189

Edizione 2012  
Rev. A

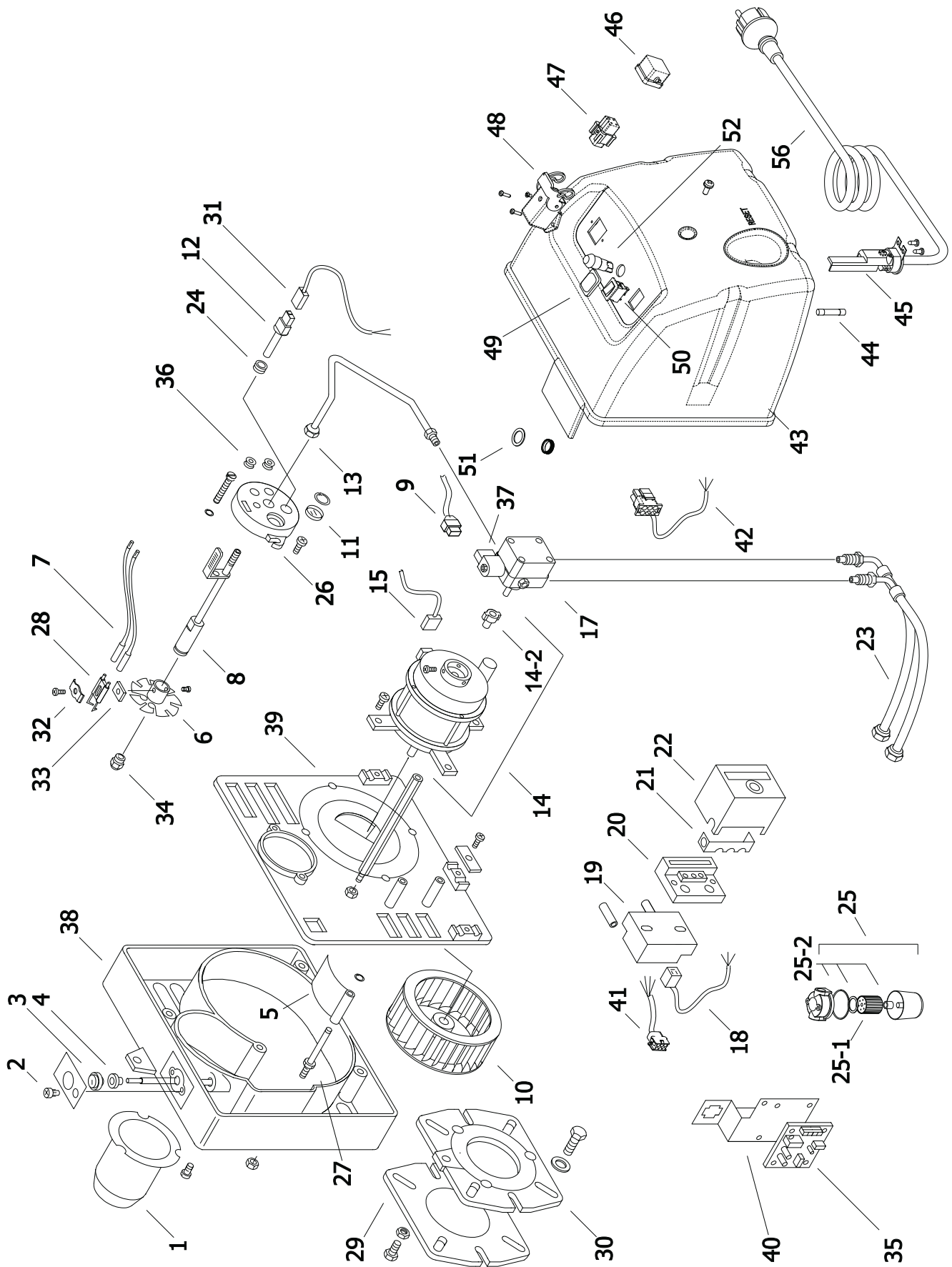


<b>Pos.</b>	<b>Code NR</b>	<b>Description</b>
1	4117.128	BURNER CONE
2	N/A	SCREW
3	N/A	ROUND INDICATOR
4	N/A	SLEEVE
5	4117.129	BURNER FASTENER
6	4117.130	BURNER DISC
7	4117.131	ELECTRODE LINE
8	4117.136	NOZZLE SUPPORT
9	1*	ELECTROVALVE LINE
10	4117.134	FAN
11	N/A	FLAME CHECK
12	4110.966	PHOTOCELL
13	4117.135	COPPER TUBE
14	4117.125	MOTOR
14-1	4117.206	MOTOR CAPACITOR SIMEL
14-2	4111.081	PUMP COUPLING SIMEL
15	1*	MOTOR LINE
17	4111.042	OIL PUMP DANFOSS
17-1	4031.094	PUMP FILTER
18	1*	TRANSFORMER LINE
19	4117.141	TRANSFORMER DANFOSS
20	4110.969	FLAME CONTROL BASE
21	N/A	BASE PARTITION
22	4110.968	CONTROL BOX SATRONIC
23	4117.142	PLASTIC TUBE
24	4117.207	PHOTOCELL ADAPTOR
25	4031.070	FUEL FILTER
25-1	4031.015	FILTER ELEMENT
25-2	4111.116	FILTER SEAL
26	N/A	BURNER FLANGE
27	4117.146	BURNER FASTENER BOLT
28	4117.195	ELECTRODE
29	4117.148	BURNER FLANGE SEAL
30	4117.194	BURNER FLANGE CONNECTION
31	1*	PHOTOCELL LINE
32	4515.921	ELECTRODE CLAMP
33	4515.920	ELECTRODE SEAL
34	4116.759	NOZZLE
35	4117.151	PC BOARD
36	4515.922	RUBBER RING
37-1	4031.195	VALVE
37-2	4031.019	SPOOL
38	4117.166	BURNER HOUSING
39	4117.167	BURNER HOUSING PLATE
40	4117.153	PC BOARD SUPPORT
41	1*	4 PIN PLUG LINE
42	2*	CONNECTION LINE
43	4117.041	BURNER COVER
44	4117.057	FUSE
45	4111.038	CABLE FASTENER
46	4162.467	THERMOSTAT CONNECTION PLUG
47	4161.400	CONNECTION SOCKET
48	4160.647	ANGULAR FIX CASE
49	4104.336	COVER SWITCH
50	4100.667	SWITCH
51	4117.093	RUBBER SEAL
52	4117.058	PILOT LAMP
not shown	2*	DUAL LINE BLUE
not shown	2*	DUAL LINE BLACK
not shown	2*	LINE WHITE
56	4111.153	POWER CORD (UK PLUG)
56	4111.449	POWER CORD (EUROPEAN PLUG)
1*	4117.171	KIT LINES
2*	4117.172	KIT LINES BURNER COVER

N/A – parts not available

From Serial Number: 32700189

Edizione 2012  
Rev. A



Pos.	Code NR	Description
1	4117.128	BURNER CONE
2	N/A	SCREW
3	N/A	ROUND INDICATOR
4	N/A	SLEEVE
5	4117.129	BURNER FASTENER
6	4117.130	BURNER DISC
7	4117.131	ELECTRODE LINE
8	4117.136	NOZZLE SUPPORT
9	1*	ELECTROVALVE LINE
10	4117.134	FAN
11	N/A	FLAME CHECK
12	4110.966	PHOTOCELL
13	4117.135	COPPER TUBE
14	4117.162	MOTOR
14-2	4111.081	PUMP COUPLING SIMEL
15	1*	MOTOR LINE
17	4117.168	OIL PUMP DANFOSS
18	1*	TRANSFORMER LINE
19	4117.169	TRANSFORMER DANFOSS
20	4117.170	FLAME CONTROL BASE
21	N/A	CONTROL BOX SUPPORT
22	4117.173	CONTROL BOX SATRONIC
23	4117.142	PLASTIC TUBE
24	4117.207	PHOTOCELL ADAPTOR
25	4031.070	FUEL FILTER
25-1	4031.015	FILTER ELEMENT
25-2	4111.116	FILTER SEAL
26	N/A	BURNER FLANGE
27	4117.146	BURNER FASTENER BOLT
28	4117.195	ELECTRODE
29	4117.148	BURNER FLANGE SEAL
30	4117.194	BURNER FLANGE CONNECTION
31	1*	PHOTOCELL LINE
32	4515.921	ELECTRODE CLAMP
33	4515.920	ELECTRODE SEAL
34	4116.759	NOZZLE
35	4117.127	PC BOARD
36	4515.922	RUBBER RING
37-1	4117.318	VALVE
37-2	4117.319	SPOOL
38	4117.166	BURNER HOUSING
39	4117.167	BURNER HOUSING PLATE
40	4117.153	PC BOARD SUPPORT
41	1*	6 PIN PLUG LINE
42	2*	CONNECTION LINE
43	4117.041	BURNER COVER
44	4117.057	FUSE
45	4117.080	CABLE FASTENER
46	4162.467	THERMOSTAT CONNECTION PLUG
47	4161.400	CONNECTION SOCKET
48	4160.647	ANGULAR FIX CASE
49	4104.336	COVER SWITCH
50	4100.667	SWITCH
51	4117.093	RUBBER SEAL
52	4117.058	PILOT LAMP
not shown	2*	DUAL LINE BLUE
not shown	2*	DUAL LINE BLACK
not shown	2*	LINE WHITE
56	4117.192	POWER CORD
1*	4117.171	KIT LINES
2*	4117.172	KIT LINES BURNER COVER

N/A – parts not available



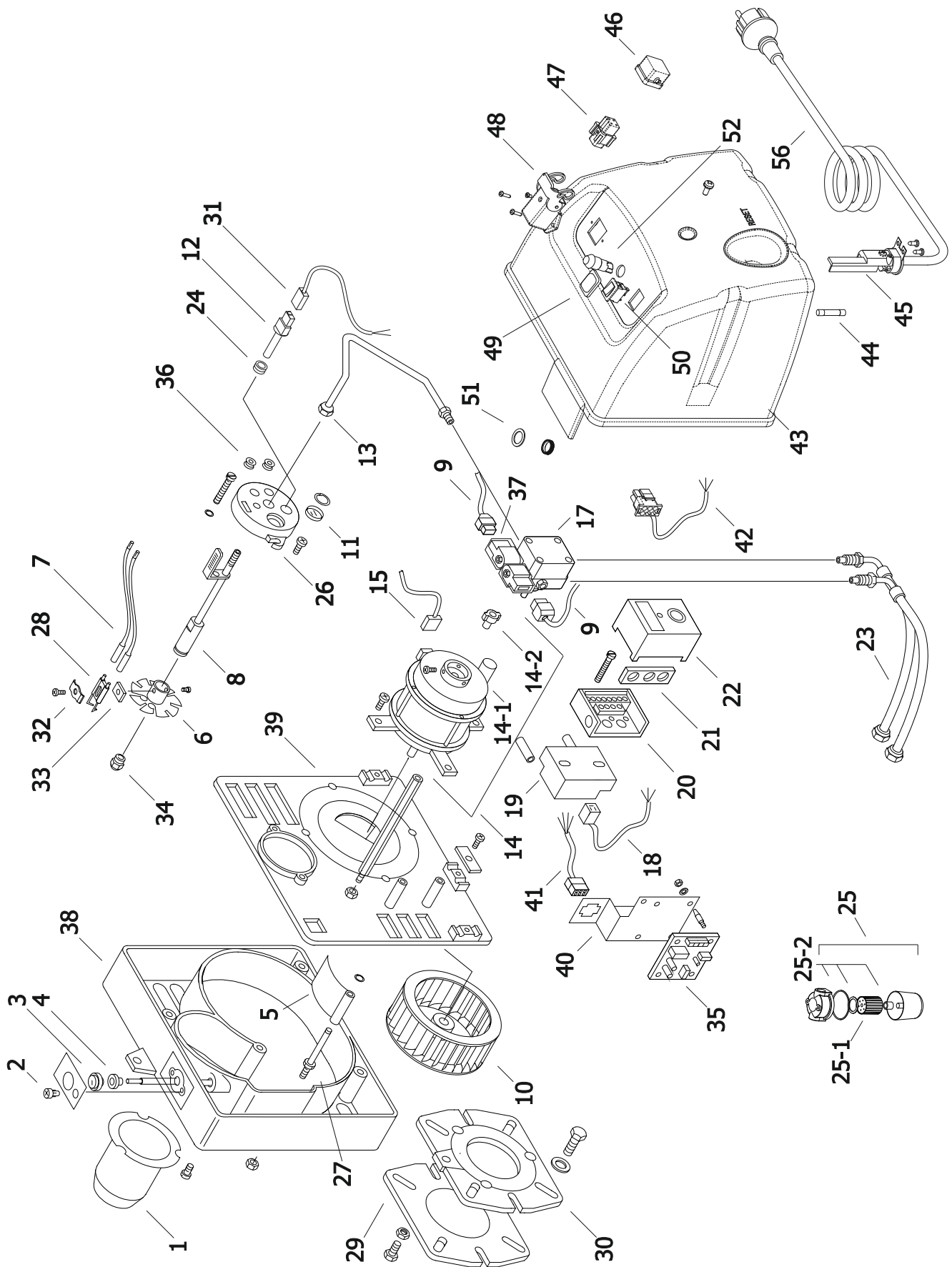
# XL 9SR

BURNER BXL 2 220/240V - 50Hz

ILLUSTRATED PARTS BREAKDOWN

From Serial Number: 32700189

Edizione 2012  
Rev. A



<b>Pos.</b>	<b>Code NR</b>	<b>Description</b>
1	4117.128	BURNER CONE
2	N/A	SCREW
3	N/A	ROUND INDICATOR
4	N/A	SLEEVE
5	4117.129	BURNER FASTENER
6	4117.130	BURNER DISC
7	4117.131	ELECTRODE LINE
8	4117.136	NOZZLE SUPPORT
9	1*	ELECTROVALVE LINE
10	4117.134	FAN
11	N/A	FLAME CHECK
12	4110.966	PHOTOCELL
13	4117.135	COPPER TUBE
14	4117.125	MOTOR
14-1	4117.206	MOTOR CAPACITOR SIMEL
14-2	4111.081	PUMP COUPLING SIMEL
15	1*	MOTOR LINE
17	4117.176	OIL PUMP DANFOSS
17-1	4031.094	PUMP FILTER
18	1*	TRANSFORMER LINE
19	4117.141	TRANSFORMER DANFOSS
20	4110.969	FLAME CONTROL BASE
21	N/A	CONTROL BOX SUPPORT
22	4117.074	CONTROL BOX SATRONIC
23	4117.142	PLASTIC TUBE
24	4117.207	PHOTOCELL ADAPTOR
25	4031.070	FUEL FILTER
25-1	4031.015	FILTER ELEMENT
25-2	4111.116	FILTER SEAL
26	N/A	BURNER FLANGE
27	4117.146	BURNER FASTENER BOLT
28	4117.195	ELECTRODE
29	4117.148	BURNER FLANGE SEAL
30	4117.194	BURNER FLANGE CONNECTION
31	1*	PHOTOCELL LINE
32	4515.921	ELECTRODE CLAMP
33	4515.920	ELECTRODE SEAL
34	4117.157	NOZZLE
35	4117.151	PC BOARD
36	4515.922	RUBBER RING
37-1	4117.317	VALVE NO
37-2	4117.315	SPOOL NO
37-3	4031.195	VALVE NC
37-4	4031.019	SPOOL NC
38	4117.166	BURNER HOUSING
39	4117.167	BURNER HOUSING PLATE
40	4117.153	PC BOARD SUPPORT
41	1*	6 PIN PLUG LINE
42	2*	CONNECTION LINE
43	4117.041	BURNER COVER
44	4117.057	FUSE
45	4111.038	CABLE FASTENER
46	4162.467	THERMOSTAT CONNECTION PLUG
47	4161.400	CONNECTION SOCKET
48	4160.647	ANGULAR FIX CASE
49	4104.336	COVER SWITCH
50	4100.667	SWITCH
51	4117.093	RUBBER SEAL
52	4117.058	PILOT LAMP
not shown	2*	DUAL LINE BLUE
not shown	2*	DUAL LINE BLACK
not shown	2*	LINE WHITE
56	4111.153	POWER CORD (UK PLUG)
56	4111.449	POWER CORD (EUROPEAN PLUG)
1*	4117.171	KIT LINES
2*	4117.172	KIT LINES BURNER COVER

N/A – parts not available